

# 8001 PRECISION POINT IONISER

The 8001 Precision Point Ioniser removes static electricity and contamination from small objects, including sensitive electronic components and assemblies.

Precision point static neutralisation and cleaning for technology and compact applications.

## PERFORMANCE

- 3 kV of ionising power at 65 - 70 kHz.

## ESSENTIAL QUALITIES

- Integrated electronics for self-contained operation, needing only 24 V DC and a compressed air supply.
- Balanced ionisation exceeds ANSI ESD STM 3.1. Offset voltage typically better than +/- 20 V.
- Replaceable tungsten emitter for a long, trouble-free life.
- Cleanroom compatible to ISO Class 4.

## CONNECTIVITY AND CONTROL

- LED on body shows operational status.
- Additional remote monitoring of status and cleanliness through 24 V signal.

## APPLICATIONS

- Precision static neutralisation and cleaning in higher technology, controlled environments and other industrial applications. Includes a wide range of ESD, medical and pharmaceutical industries.
- Complete range of accessories including wide area showers, flexible and long nozzles, extensions and special pipework.



## SPECIFICATION

### Construction:

PVC body, stainless steel base, tungsten emitter.

### Output Voltage:

Up to 3 kV supply integrated into the ioniser: 65 - 70 kHz.

### Remote Monitor / Local Status Indication:

2 signals available: 'OK' and 'Attention'.

Outputs compatible with IEC 61131-2 Type 3 PLC inputs. Signal protected against shorting and miswiring. Three colour LEDs on ioniser for local status indication.

### Electrical Input:

Input: 24 V DC (21 - 28 V), max current 0.1 A.

M8 x 4-pin male connector. M8 x 4 core cable to be ordered separately.

### Air Supply:

0 - 5 Bar max. 0.5 - 2.0 Bar optimum. Push-fit connector for 6 mm OD tubing.

### Environmental:

0 - 55 °C, 70 % rH non-condensing max.

### Certification:

CE.

### Options:

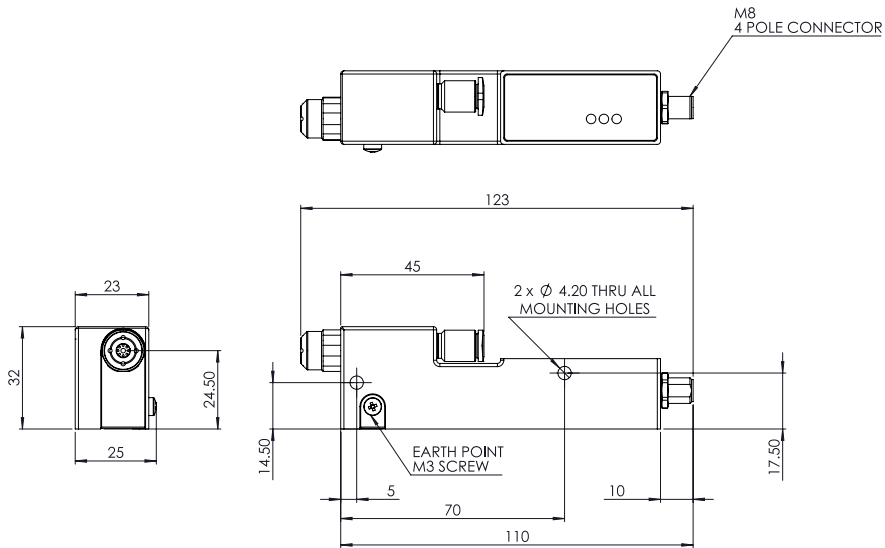
100 - 250 V AC PSU also available.

**DIMENSIONS AND CONSTRUCTION**

Dimensions: 123 mm x 25 mm x 32 mm (LxWxH).

Weight: 80 g.

Mounting holes within the PVC body to allow for easy integration into process or machinery.



**POWER ACCESSORIES AND SPARES**

Description	Part No.
3m cable with 180° connector	80892
5m cable with 180° connector	80930
7.5m cable with 180° connector	80931
10m cable with 180° connector	80932
AC to 24 V DC power supply	E3024-PSU
Spare Emitter Assembly	47012

Description	Part No.
3m cable with 90° connector	80933
5m cable with 90° connector	80934
7.5m cable with 90° connector	80935
10m cable with 90° connector	80936
Spare Standard Nozzle	470002
Spare Nozzle Holder Assembly Set	47013

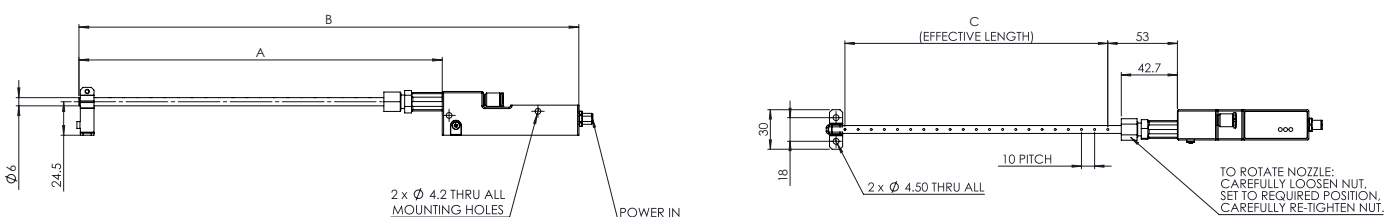
Cables and nozzles accessories must be ordered separately in addition to the Ioniser. The cables have standard M8 4-pin female connectors.

**NOZZLES ACCESSORIES**

**Ion Shower Nozzle**

Part No. E47001: A = 266 mm B = 366 mm C = 200 mm

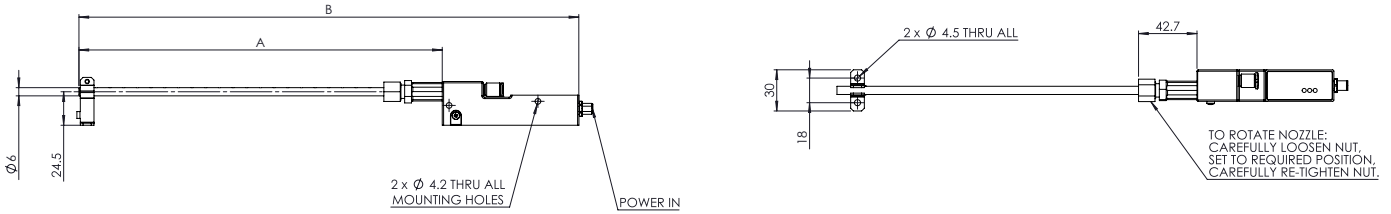
Part No. E47002: A = 385 mm B = 485 mm C = 320 mm



**NOZZLES ACCESSORIES**

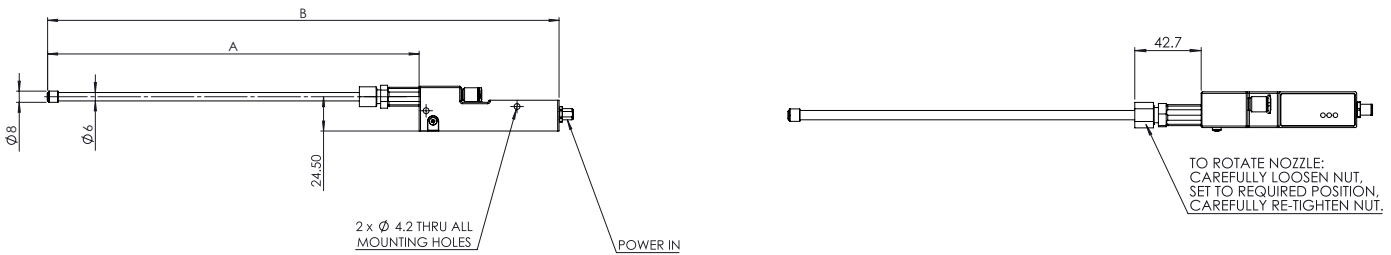
**Fixed Precision Nozzle**

Part No. E47004: A = 263 mm B = 363 mm  
 Part No. E47005: A = 383 mm B = 483 mm



**Flexible Shape Preserving Nozzle**

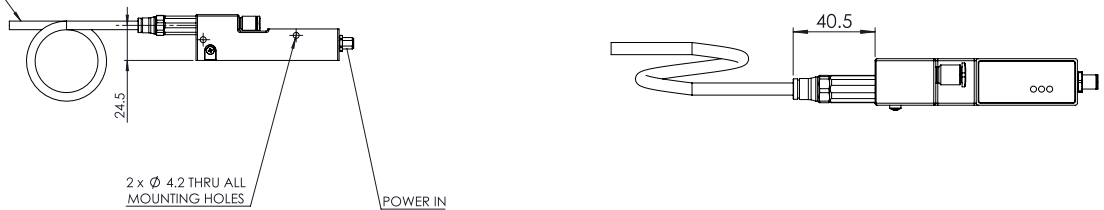
Part No. E47008: A = 266 mm B = 366 mm  
 Part No. E47009: A = 386 mm B = 486 mm  
 Part No. E47010: A = 716 mm B = 816 mm



**Conductive Flexible Tube Nozzle**

Part No. E47007

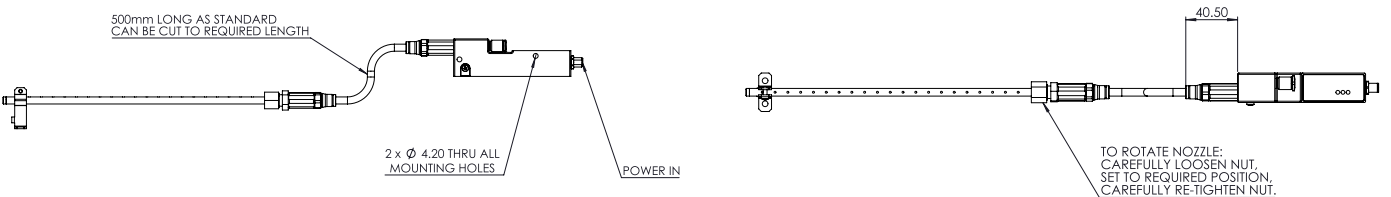
500mm LONG AS STANDARD  
 CAN BE CUT TO REQUIRED LENGTH



**Flexible Nozzle Extension**

Part No. E47014

500mm LONG AS STANDARD  
 CAN BE CUT TO REQUIRED LENGTH



Nozzles to be ordered separately.