

4800 DC IONISED AIR NOZZLE

The 4800 DC Ionised Air Nozzle sets new standards in industrial static control technology, with powerful performance and all the advantages of advanced electronics integrated into the compact body. The 4800 DC is powered by 24 V DC.

The 4800 DC is the most powerful ionised air nozzle available – in both ionisation performance and cleaning capability.

PERFORMANCE

- Static neutralisation faster than any competitive product and about 50 % more powerful than our existing, best-selling 4510 Ionised Air Nozzle.
- The flat nozzle produces intense airflow which transports the ionised air at high speed for optimal cleaning and blow-off capability.
- Optimal cleaning distance: use at close range for maximum thrust. Typically 50-100 mm.

ESSENTIAL QUALITIES

- High cleaning thrust is achieved at lower air pressure, reducing air consumption and noise.
- All electronics fully encapsulated for protection and reliability.
- Tungsten emitters guarantee a long life.

CONNECTIVITY AND CONTROL

- 24 V DC supply.
- LED on body gives operational status and whether bar needs cleaning.
- Remote on/off switching with standby plus signal for operational status.

APPLICATIONS

- The 4800 DC can be used in cleaning and static neutralisation applications throughout industry, including robot arms and high speed processing.



SPECIFICATION

Construction:

Static Eliminator: PVC body, epoxy resin encapsulant, tungsten emitters.
Nozzle: aluminium.

Output Voltage:

+/- 7 kV supply integrated inside Ioniser.

Remote Monitor / Local Status Indication:

Signals available: 'OK', 'Clean Me', 'Fault' and 'Standby'. Uses 24 V supply to send signal from the ioniser to the PLC or other destination. Outputs compatible with IEC 61131-2 Type 3 PLC inputs. Signal protected against short circuit or miswiring. Bi-colour LED on ioniser body for local status indication.

Electrical Input:

24 V DC (21 – 28 V). Maximum current 0.25 A. M8 connector.
For PSU and cable options, see 3024 UC Datasheet.

Air Supply:

Air Pressure: Max 10 Bar.
Air Fitting: 6 mm OD push fit.
Air Consumption: 300 L/min @ 2 Bar.
Blowing Force: 2.4 N @ 2 Bar.

Environmental:

0 - 55 °C, 70 % rH non-condensing max. IP67.

Certification:

CE and UL Certified (3024 Ultra-Compact incorporated within 4800 DC).

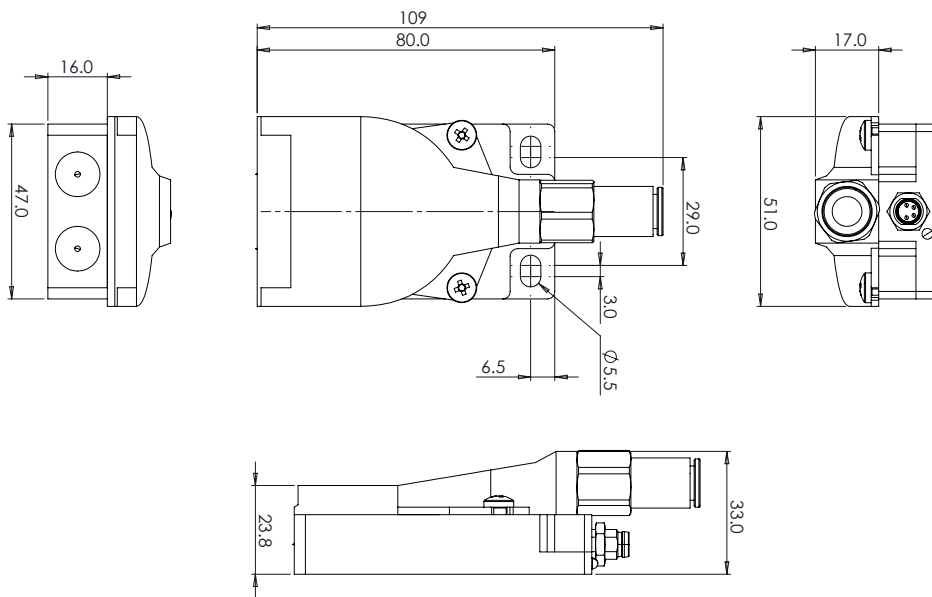
HOW IT WORKS

Ionisation produced by the static eliminator is transported by the compressed air flowing from the nozzle. The ionised air neutralises the static charge allowing the air to remove the contaminant or to separate sheets. The 4800 DC can be fitted to robot arms for automatic processes. Due to its high performance it is suitable for the highest application speeds. The blowing force is 2.4 N at 2 Bar pressure. Mounting onto the machine is achieved with fixing holes integrated into the product body.

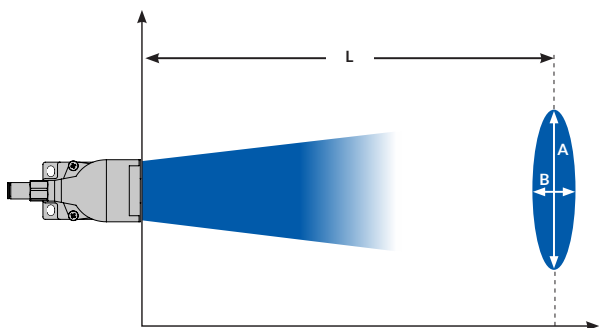
DIMENSIONS AND CONSTRUCTION

Dimensions: 80 mm x 51 mm x 33 mm (excluding connectors). Operational length: 47 mm.

Weight: Static Eliminator - 100 g, Nozzle - 60 g (excluding connectors).



JET PATTERN



Pressure	1 Bar	3 Bar	5 Bar
Distance L (mm)	750	900	900

Jet dimensions at L

A (mm)	170	210	240
B (mm)	150	180	210

ACCESSORIES AND SPARES

Please refer to 3024 Ultra-Compact Datasheet for cable options. Cables have standard M8 4 pin female connectors and must be ordered separately in addition to the Ionised Air Nozzle.