

# EX-1250 EX STATIC ELIMINATOR

The EX-1250 bar is a high performance static eliminator with ATEX certification for use in hazardous areas.

The EX-1250 is part of the Fraser 1250 family of static eliminators, which offer market-leading reliability and performance.

## PERFORMANCE

- 6 kV of ionising power.
- Resistively coupled emitters for maximum safety with optimal ionisation efficiency.

## ESSENTIAL QUALITIES

- All live parts are epoxy encapsulated for protection, reliability and a long life.
- Unique stay-sharp etched emitters for long life of high performance.
- Shockproof operation and robust construction.

## CONNECTIVITY AND CONTROL

- Choice of Fraser power units, including local and remote monitoring of operational status and alarm signal.
- Power units capable of driving 30 m of combined bar and cable, typically four bars on a typical gravure press.

## APPLICATIONS AND ATEX CERTIFICATION

- Position 20 - 150 mm from material. Best performance within 50 mm.
- The European ATEX Certification is recognised in most areas of the world.
- The EX-1250's wide certification covers most industrial coating, laminating and gravure printing processes:
  - Gas: Gas Group IIB (Ethylene and all the usual solvents in coating etc), Zones 1 and 2.
  - Dust: Flammable Dust Group IIIC, Zones 21 and 22.



## SPECIFICATION

### Construction:

Anodised aluminium, epoxy resin, ABS and hardened emitters.

### Cable:

3 m of cable in protective nylon conduit is standard, longer lengths can be specified at time of order. Please check that 3 m is sufficient to reach the Power Unit outside of the EX Zone.

### Safety:

High resistance in emitters for shockless operation.

### Power Unit:

EXHP or HP-ION (Model 3111), must be positioned outside of the hazardous area.

### Environmental:

40 °C maximum temperature. 70 % rH non-condensing max. Location should be dry and oil-free.

### Certification:

CE. ATEX EX certified for use in hazardous areas.

### Options:

90° cable exit.  
 Metallic protective cable conduit.  
 Air Knife mounted - see 5000/5100 and 5500.  
 EXHP Power Unit - remote monitoring of operational condition/alarm. An LED can be fitted to show that high voltage is functioning.  
 HP-ION (Model 3111) Power Unit - remote function monitoring to show status of high voltage and whether bars require cleaning.

**HOW IT WORKS**

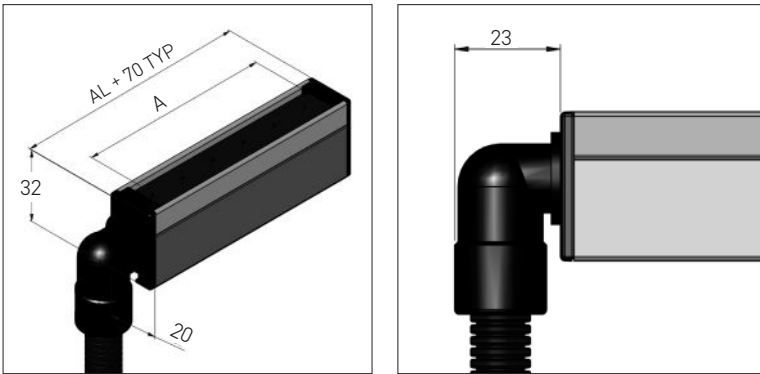
The EX-1250 is powered by the EXHP or HP-ION (Model 3111) Power Units, high load 6 kV power units with remote monitoring options. Up to four bars may be powered from each Power Unit. Please see separate Datasheets for more details.

**DIMENSIONS AND CONSTRUCTION**

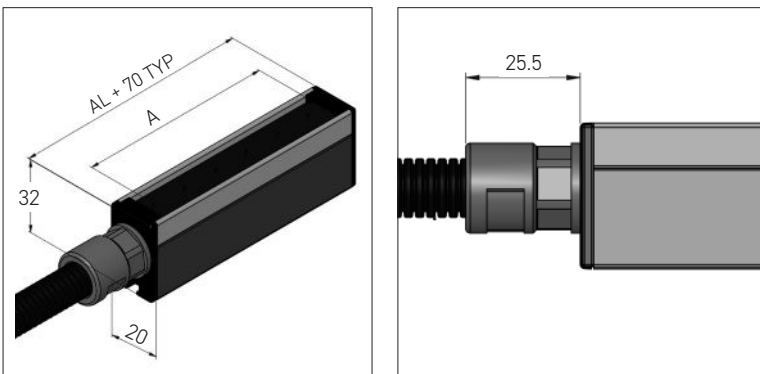
**Available lengths:** Any length from 120 mm to 6000 mm. Active length (AL) is 70 mm less than overall length.

**Mounting:** M4 x 20 mm hexagon studs slide in slot for mounting.

**EX1250 with 90° elbow connector**




**EX1250 with straight connector**



All dimensions in mm.

**ATEX CERTIFICATION**

The details of the ATEX certification for the EX-1250 Bar are:

EX-1250 Static Eliminator Bar YYYY/NNNN		 CE 1180
$\text{Ex}$ II 2G IIB T6	$\text{Ex}$ II 2D IIIC T85°C (-20°C ≤ Ta ≤ +40°C)	
Baseefa 07ATEX0157X		
Fraser Anti-Static Techniques Ltd, Scotts Business Park, Bampton, EX16 9DN UK www.fraser-antistatic.com		

**Explanation**

- |  |   |
|--|---|
| <ul style="list-style-type: none"> <li><b>II</b> Industrial equipments.</li> <li><b>2</b> Equipment category: high protection. Suitable for zones 1 and 2.</li> <li><b>G</b> Equipment used in potentially explosive atmospheres caused by presence of explosive gas, vapour and mist.</li> <li><b>IIB</b> Gas Group. Group IIB covers Ethylene, in addition to the IIA Gases including Acetone, Benzene, Butane, Ethanol, Methane, Propane, Toluene and Xylene.</li> <li><b>T6</b> (-20 °C ≤ Ta ≤ +40 °C) Temperature class. Maximum surface temperature T6 = 85 °C.</li> </ul> | <ul style="list-style-type: none"> <li><b>II</b> Surface equipments.</li> <li><b>2</b> Equipment category: high protection. Suitable for zones 21 and 22.</li> <li><b>D</b> Equipment used in potentially explosive atmospheres caused by presence of airborne particles (dust).</li> <li><b>IIIC</b> Dust Group. This includes IIIA: Combustible flyings. IIIB: Non-conductive dust. IIIC: Conductive dust.</li> <li><b>T85</b> Temperature class. Maximum surface temperature 85 °C.</li> </ul> |
|--|---|